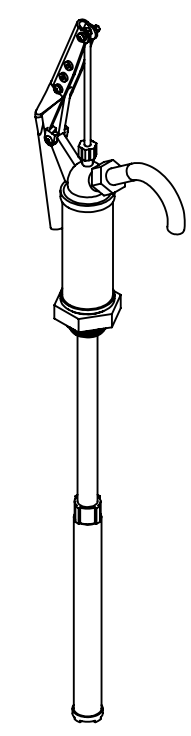
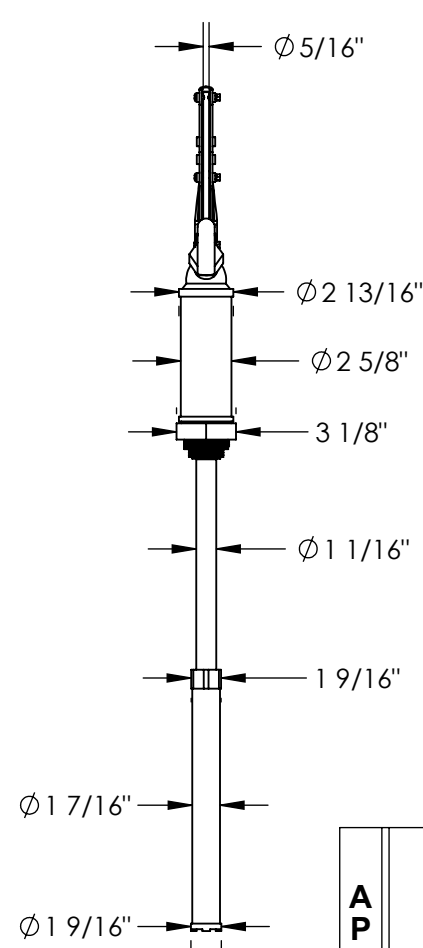
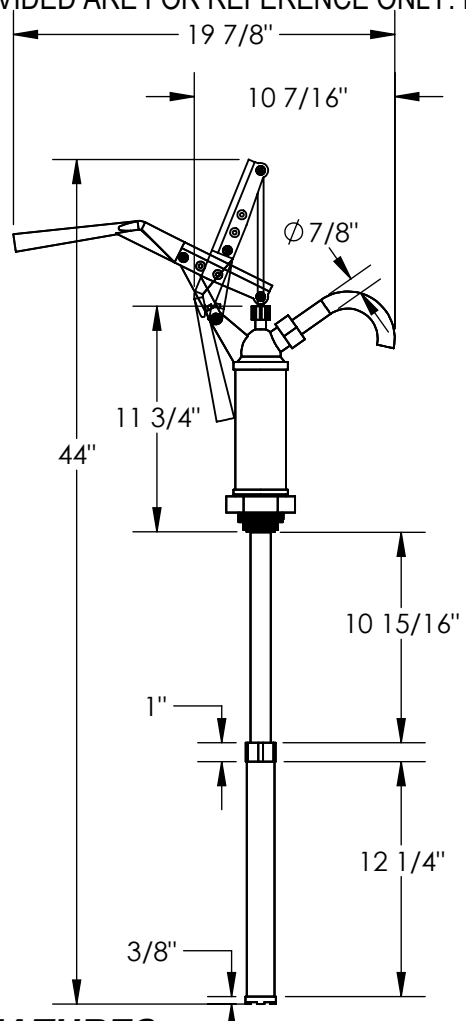


LEVER ACTION (POLYPROPYLENE 304 SS) - LDP-POLY-304

APPROX WEIGHT: 2.85 lbs.
 DOES NOT INCLUDE WEIGHT OF POWER OR PACKAGING!!!

*** ANY ADDITIONS, DELETIONS, OR OMISSIONS MUST BE CORRECTED ON THIS DRAWING AS THIS DRAWING WILL BE CONSIDERED ALL INCLUSIVE ***
 ALL GRAPHICS PROVIDED ARE FOR REFERENCE ONLY. IF CERTAIN DIMENSIONS ARE CRITICAL PLEASE VERIFY THOSE DIMENSIONS WITH YOUR SALESPERSON



DIMENSION TOLERANCE ± 1/4"

STANDARD FEATURES

- MODEL NUMBER IS LDP-POLY-304
- OVERALL WIDTH IS 3 1/8"
- OVERALL LENGTH IS 19 7/8"
- OVERALL HEIGHT IS 44"
- DISPLACEMENT PER STROKE 12 oz. (350ml)
- FITS 1 1/2" & 2" BUNGS
- MATERIAL IS POLYPROPYLENE AND FIBRE MIX BODY
- W/ STAINLESS STEEL PISTON ROD
- VITON SEAL
- APPLICATION: WATER, ALCOHOL, GASOLINE, DIESEL, KEROSENE, LUBRICANT, ETC
- SUITABLE FOR LIGHT OILS, PARAFFIN, DIESEL, ALCOHOL, WATER, WATER BASED CHEMICALS, MILD SOLVENTS, ANTI-FREEZE, WEAKER ACID AND ALKALI SOLUTIONS, ETC
- MAXIMUM VISCOSITY IS 1,000 SSU

SPECIAL FEATURES

NONE

APPROVAL	I, THE UNDERSIGNED, AGREE THAT THE PRODUCT AS REPRESENTED SATISFIES DESIGN AND DIMENSION REQUIREMENTS. I ALSO ACKNOWLEDGE MY DUTY TO CONFIRM PRODUCT AND INSTALLATION COMPLIANCE WITH ALL APPLICABLE FEDERAL, STATE AND LOCAL REGULATIONS AND STANDARDS.	
	ANY MODIFIED UNITS ARE NON-RETURNABLE	
	[] As drawn [] As marked	
	Signed: _____ Date: _____	
Printed Name: _____		
LEAD TIME WILL START UPON RECEIPT OF SIGNED APPROVAL DRAWING		

FOR INTERNAL USE ONLY PROJECT SIGN OFF	
SALES	
ENG.	
FAB.	
POWER	

DISTRIBUTOR'S NAME:		P.O.#
VESTIL MANUFACTURING		X
DRAWN BY: RS		W.O.#
DATE: 8/22/2011		X
REFERENCE: X	SCALE: 1:10	SALES: X
QUOTED LEAD TIME: X	QUOTE #	FILE NAME:
	X	40-007-061